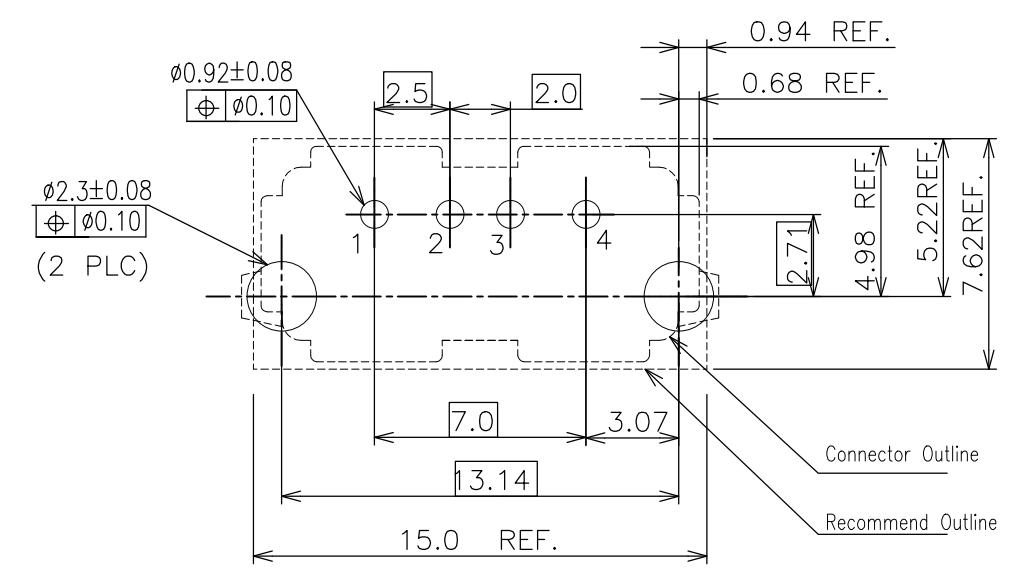
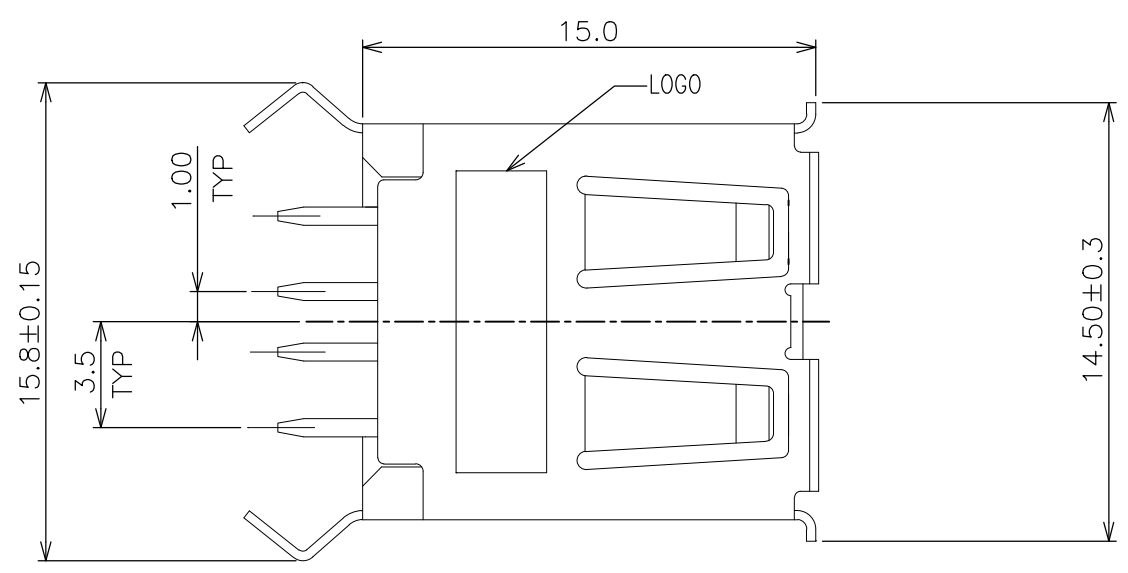
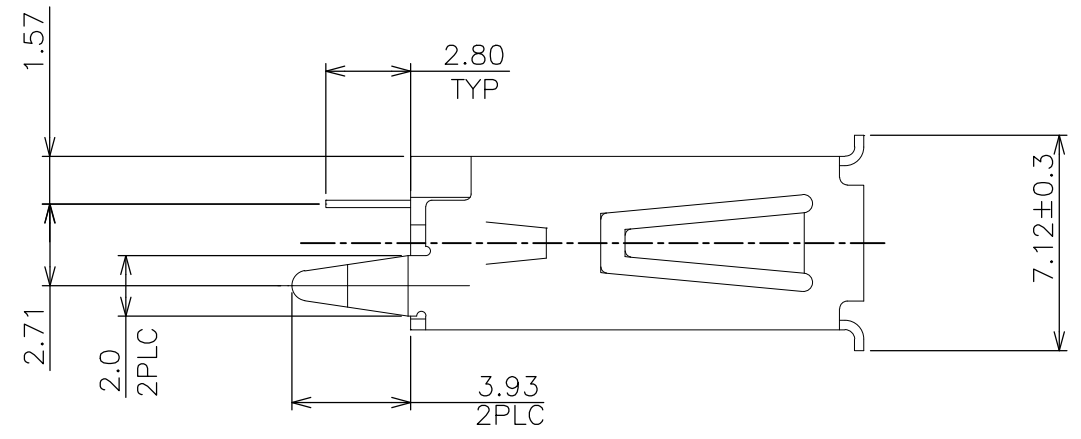
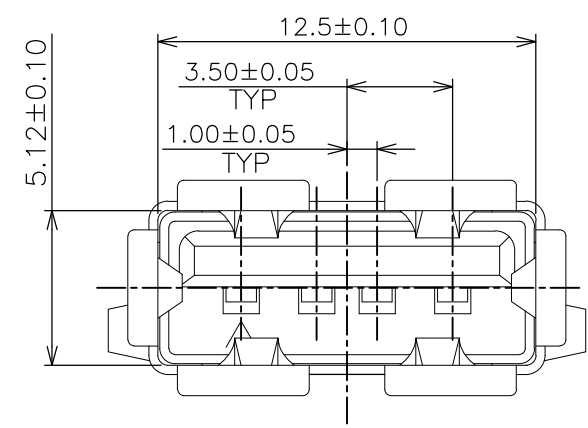


THIS DRAWING IS UNPUBLISHED. RELEASED FOR PUBLICATION
 © COPYRIGHT BY TYCO ELECTRONICS CORPORATION. ALL RIGHTS RESERVED.

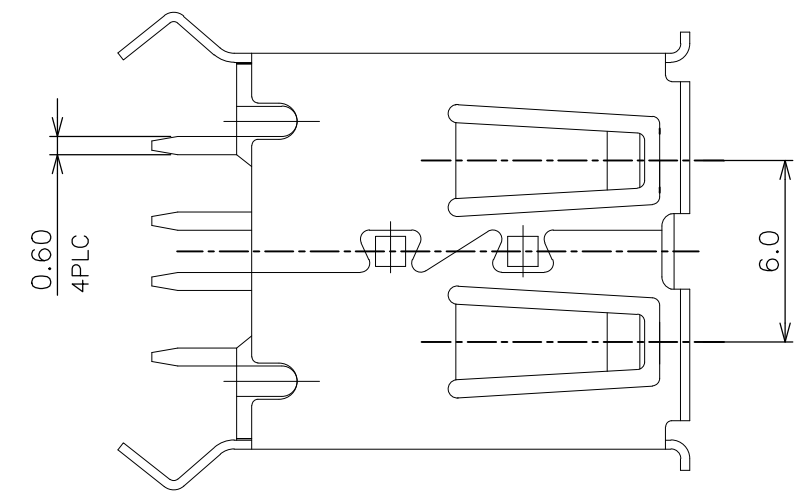
LOC		DIST		REVISIONS			
DW		P	LTR	DESCRIPTION	DATE	DWN	APVD
			C1	REVISED PER ECD-15-018143	18DEC15	T.Z	H.W



RECOMMENDED P.C.BOARD LAYOUT(T=1.6)
 (TOP VIEW)(TOLERANCE:±0.05)



- NOTE:
- MATERIAL:
 HOUSING: THERMOPLASTIC(PBT),UL 94V-0, COLOR:SEE TABLE.
 CONTACT: PHOSPHOR BRONZE, THICKNESS =0.25mm.
 SHIELD: BRASS, THICKNESS=0.30mm.
 - FINISH:
 CONTACT:GOLD FLASH OVER
 0.762um[30u"]MIN. PALLADIUM-NICKEL PLATED ON CONTACT
 2.54um[100u"]MIN. MATTE-TIN ON SOLDER TAILS,
 1.27um[50u"]MIN. NICKEL UNDERPLATED ALL OVER.
 SHIELD: 2.54um [100u"] MIN. TIN PLATED OVER
 1.27um [50u"] MIN. NICKEL UNDERPLATED
 - WAVE SOLDER CAPABLE TO 265°C PER TYCO SPEC 109-202 CONDITION B.
 - HOUSING MIGHT BE MELTED AFTER DIFFERENT CUSTOMER WAVE SOLDERING PROCESS.



SEE SHEET 3	BLACK	1734366-4
	BLUE	1734366-3
SEE SHEET 2	WHITE	1734366-2
	BLACK	1734366-1
PACKING	HSG'S COLOR	PART NUMBER

THIS DRAWING IS A CONTROLLED DOCUMENT.		DWN	S. CHIEN	19SEP2008	RECEIPT ASSY,VERTICAL,4POSITION THRU-HOLE,TYPE A USB		
DIMENSIONS: mm		CHK	S. CHIEN	19SEP2008			
TOLERANCES UNLESS OTHERWISE SPECIFIED:		APVD	W.KODAMA	19SEP2008			
0 PLC ± 0.38 1 PLC ± 0.25 2 PLC ± 0.13 3 PLC ± 0.05 ANGLES ± 2° FINISH SEE NOTE		PRODUCT SPEC	108-57547	APPLICATION SPEC		501-57635	
MATERIAL SEE NOTE		WEIGHT	1.82 GRAMS		SIZE	A3	
		CUSTOMER DRAWING		SCALE	-	CAGE CODE	00779
				DRAWING NO	G=1734366		RESTRICTED TO
				SHEET	1 OF 3		REV
							C1

THIS DRAWING IS UNPUBLISHED.

RELEASED FOR PUBLICATION

© COPYRIGHT

BY TYCO ELECTRONICS CORPORATION.

ALL RIGHTS RESERVED.

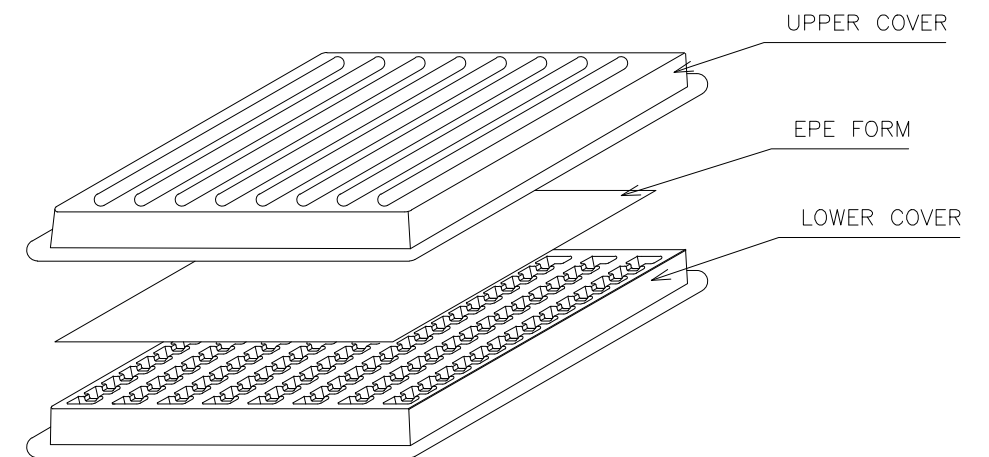
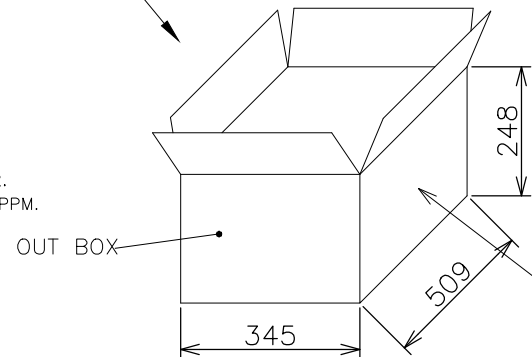
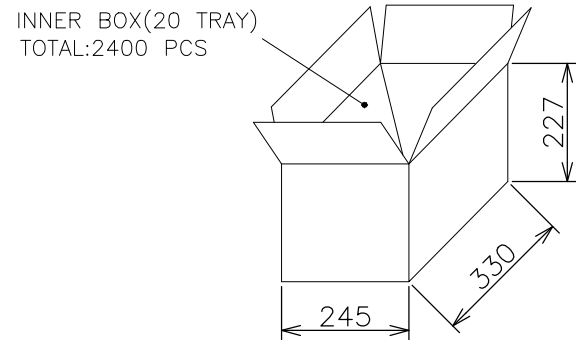
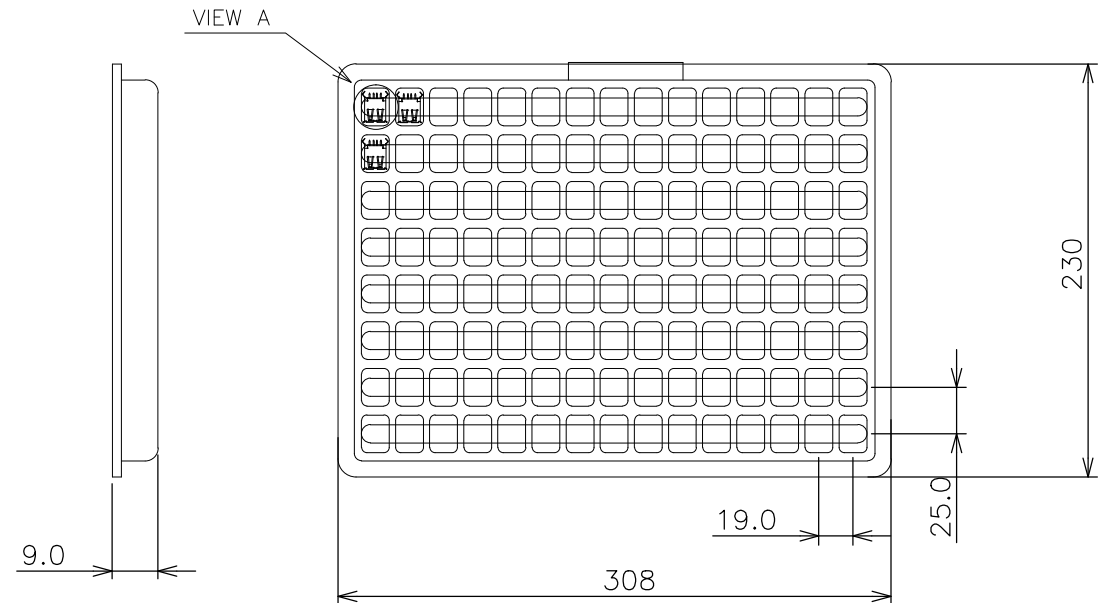
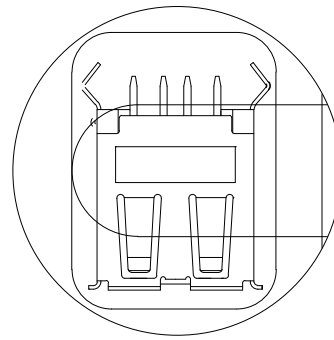
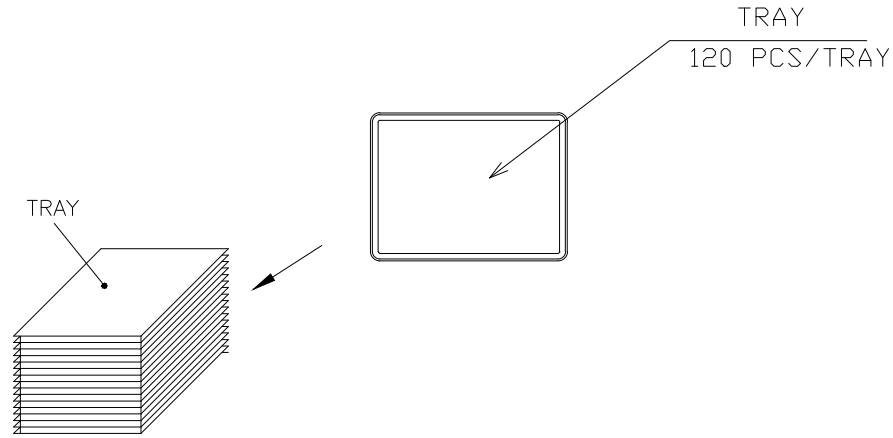
LOC
DW

DIST

REVISIONS

P	LTR	DESCRIPTION	DATE	DWN	APVD

USE THE TAPE TO FIX THE TRAY(4X)



NOTE :

- 1. PACKAGING MATERIAL IN PLASTIC, RUBBER, INK, PIGMENT AND PAINT MUST MEET CONTROLLED SUBSTANCES SPEC PER 230-702.
- * CADMIUM AND CADMIUM COMPOUNDS NOT TO EXCEED:5 PPM.
- * LEAD, CADMIUM, CHROM VI AND MERCURY NOT TO EXCEED:100 PPM(COMBINED).

2. MATERIAL :

TRAY: PVC, UPPER COVER THICKNE=0.3MM.
LOWER COVER THICKNE=0.4MM

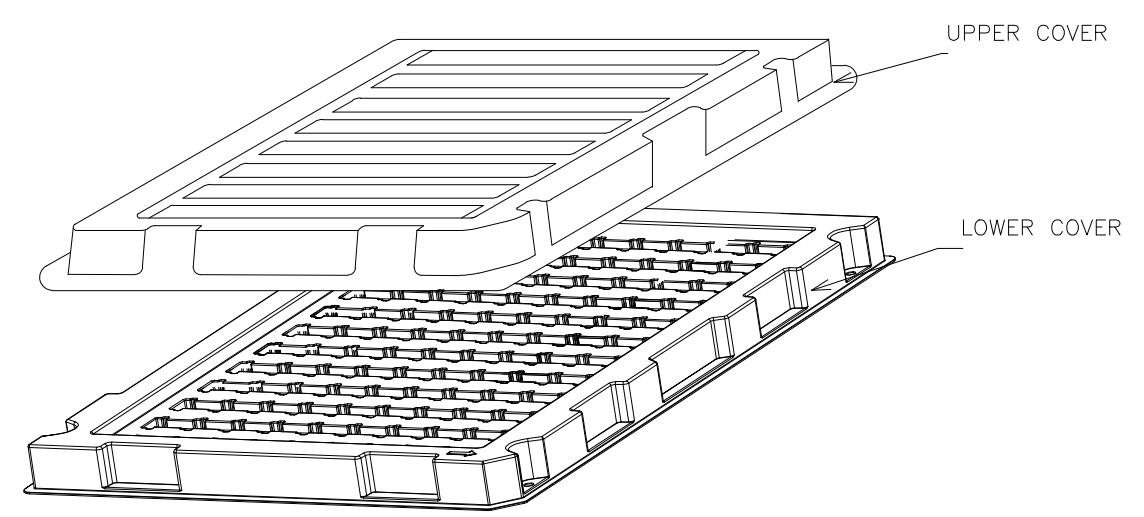
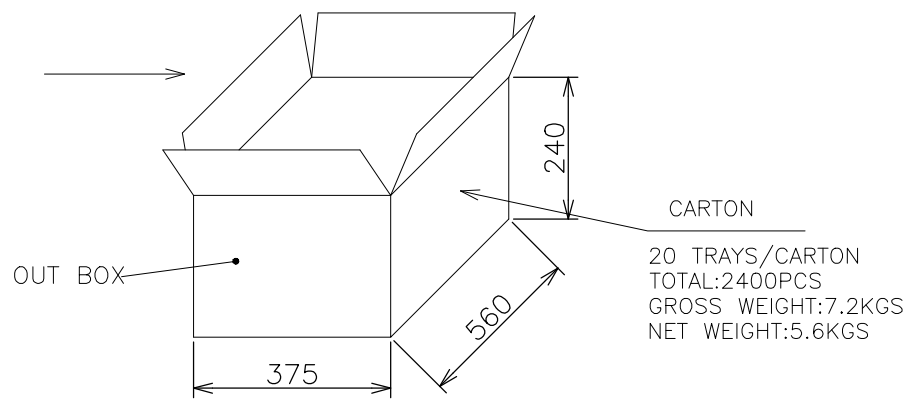
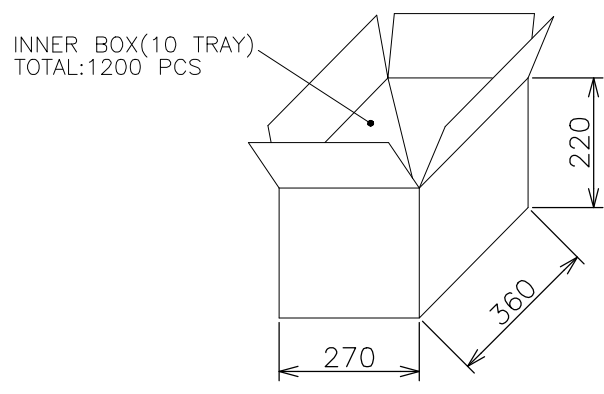
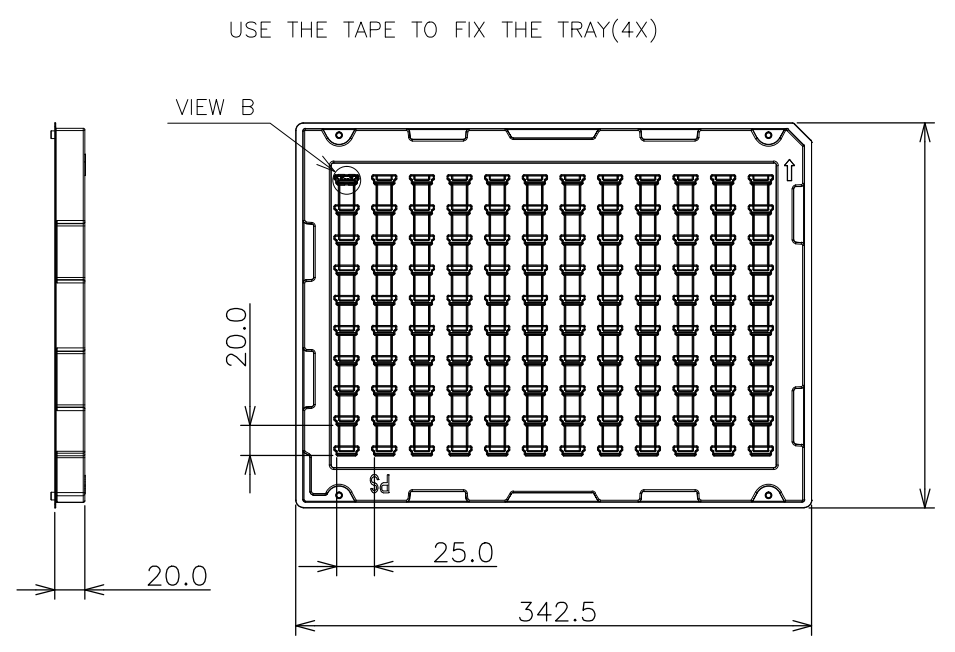
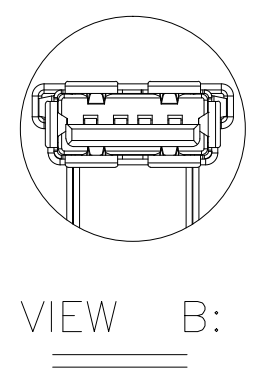
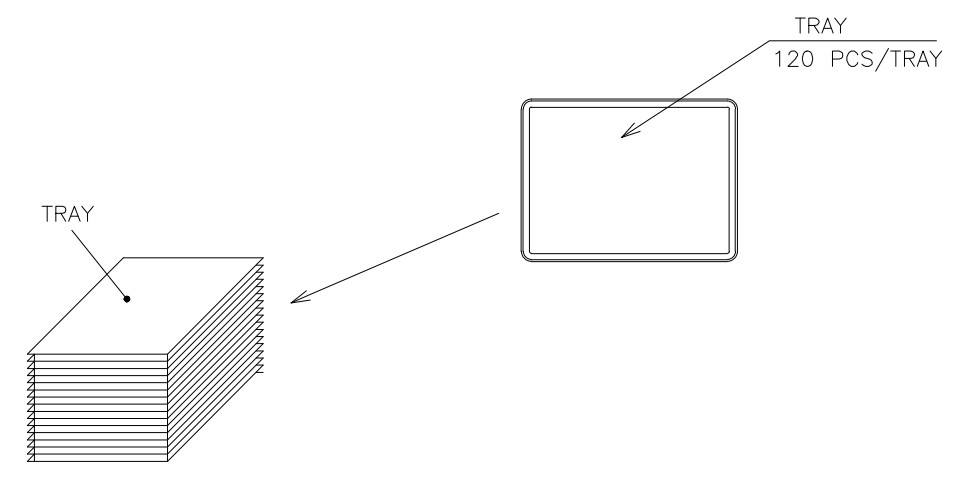
CARTON
2:INNER BOX/CARTON
TOTAL:4800PCS
GROSS WEIGHT:12.2 KGS
NET WEIGHT:11.2 KGS

4800	1734366-2
4800	1734366-1
QTY	PART NUMBER

THIS DRAWING IS A CONTROLLED DOCUMENT.		DWN			
DIMENSIONS: mm		CHK			
TOLERANCES UNLESS OTHERWISE SPECIFIED:		APVD	NAME		
0 PLC ± -		PRODUCT SPEC			
1 PLC ± 0.3		APPLICATION SPEC			
2 PLC ± 0.2		WEIGHT	SIZE	CAGE CODE	DRAWING NO
3 PLC ± 0.15		CUSTOMER DRAWING	A3	00779	C-1734366
4 PLC ± -			RESTRICTED TO		
ANGLES ± 3'		SCALE	SHEET 2 OF 3		
MATERIAL		FINISH	REV C1		

THIS DRAWING IS UNPUBLISHED. RELEASED FOR PUBLICATION
 © COPYRIGHT BY TYCO ELECTRONICS CORPORATION. ALL RIGHTS RESERVED.

LOC	DIST	REVISIONS			
P	LTR	DESCRIPTION	DATE	DWN	APVD



NOTE :
 1. PACKAGING MATERIAL IN PLASTIC, RUBBER,INK,PIGMENT AND PAINT MUST MEET CONTROLLED SUBSTANCES SPEC PER 230-702.
 * CADMIUM AND CADMIUM COMPOUNDS NOT TO EXCEED:5 PPM.
 * LEAD,CADMIUM,CHROM VI AND MERCURY NOT TO EXCEED:100 PPM(COMBINED).
 2. MATERIAL :
 TRAY: PS, UPPER COVER THICKNE=0.5MM. LOWER COVER THICKNE=0.7MM

2400	1734366-4
2400	1734366-3
QTY	PART NUMBER

THIS DRAWING IS A CONTROLLED DOCUMENT.		DWN			
DIMENSIONS: mm		CHK			
TOLERANCES UNLESS OTHERWISE SPECIFIED:		APVD	NAME		
0 PLC ± -		PRODUCT SPEC	RECEIPT ASSY,VERTICAL,4POSITION THRU-HOLE,TYPE A USB		
1 PLC ± 0.3		APPLICATION SPEC	SIZE	CAGE CODE	DRAWING NO
2 PLC ± 0.2		WEIGHT	A3	00779	1734366
3 PLC ± 0.15		CUSTOMER DRAWING	RESTRICTED TO		
4 PLC ± -		SCALE	SHEET		REV
ANGLES ± 3'			3 OF 3		C1
MATERIAL	FINISH				